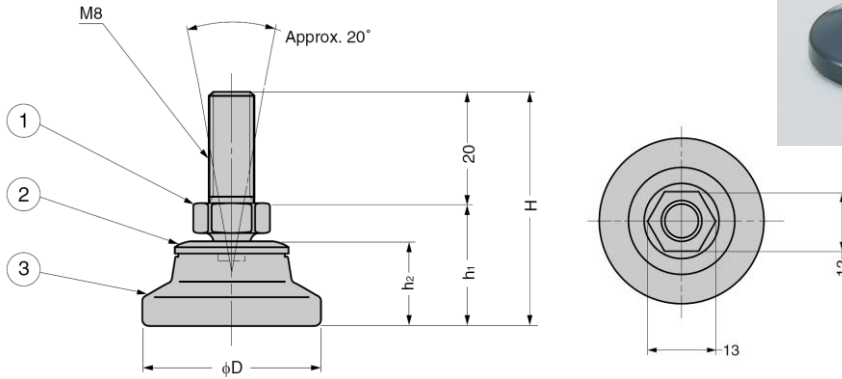


## GSG Levelling Glide (With Swivel)

### Features

- Swivels approximately 20° to compensate for uneven floors



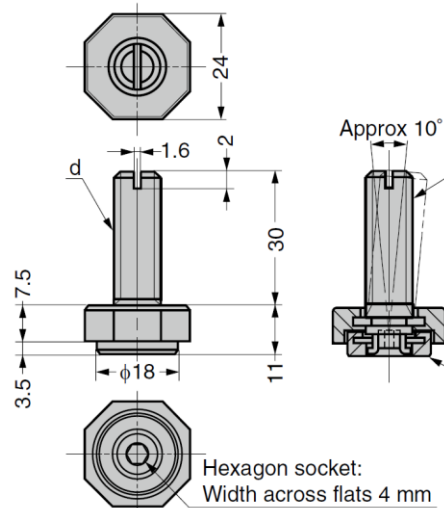
No.	Part Name	Material	Finish/Colour
①	Threaded Bolt	Steel (SWCH)	Black Chromate
②	Cap	PA	Dark Grey
③	Base	POM	

Part No.	D	H	h <sub>1</sub>	h <sub>2</sub>	Load Capacity (per piece)	
<b>GSG-32M8</b>	32	42	22	15.5	1,176 N	120 kg
<b>GSG-40M8</b>	40	42.5	22.5	16	1,568 N	160 kg

## GMK8AD Octagonal Levelling Glide (With Swivel)

### Features

- Swivels approximately 10° to compensate for uneven floors
- With swivel function to distribute the load evenly for excellent durability
- Slotted top of threaded bolt and hexagon socket at the bottom allows easy installation and adjustment
- Octagonal base allows easy adjustment by hand or wrench (width across flats: 24 mm)
- Double structure of cover/bolt and base allow easy height adjustment without lifting the leg
- Levelling glide with elastomer base to prevent from skidding



No.	Part Name	Material	Finish/Colour
①	Threaded Bolt	Steel (SWCH)	Black Chromate (Trivalent)
②	Cover	PA	Black
③	Base	Elastomer (TPE)	

Part No.	d	Load Capacity (per piece)	
<b>GMK8AD-M8</b>	M8	588 N	60 kg
<b>GMK8AD</b>	M10		